



UNDERBELLY TANKS

www.hiltonmfg.com.au

Victoria

110-116 Bangholme Rd
Dandenong South, 3164
Ph: 03 8791 9400
Fax: 03 9768 2952

Queensland

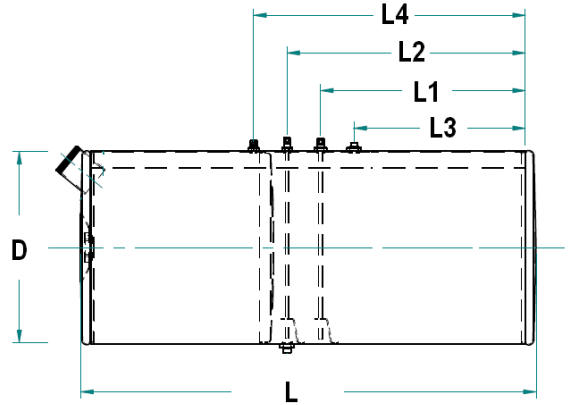
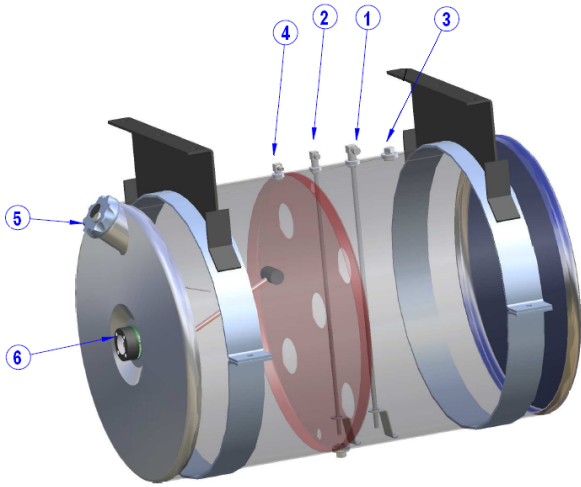
57 Campbell Avenue
Wacol, 4076
Ph: 07 3879 4091
Fax: 07 3879 4093

ALUM ROUND UNDERBELLY TANK

□ 18"/457mm □ 22"/559mm □ 24.5"/622mm



UNDERBELLY



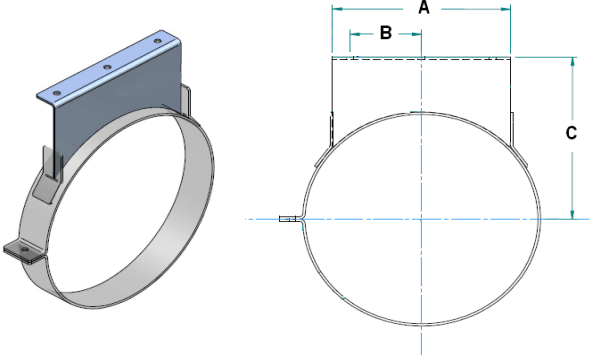
- 1. Pick-Up Pipe
- 2. Return Pipe
- 3. Plug
- 4. Breather
- 5. Filler Neck 3"
- 6. Fuel Gauge (Included)

ALUMINIUM TANKS ARE NON-CORROSIVE, LIGHTWEIGHT, AND FEATURE A LINISH FINISH PROTECTED

Capacity [Lt.]	Part No.	D [mm]	L [mm]	L1 [mm]	L2 [mm]	L3 [mm]	L4 [mm]	List Price
220	HM185748UBTA	457	1450	620	700	540	780	\$960
190	HM223442UBTA	558	860	325	405	245	485	\$960
450	HM2456099UBTA	622	1530	565	645	485	720	\$1100

STEEL MOUNTING

TANK Ø	Part No.	A [mm]	B [mm]	C [mm]	List Price
18"	HM18UBTA-MNT	350	140	355	\$110
22"	HM22UBTA-MNT	400	172	405	\$120
24.5"	HM24.5UBTA-MNT	400	172	436	\$130



- Note:**
- More than 1 Bracket Required for Mounting Kit
 - Rubber Included

STEEL Printed In Blue
ALUM Printed In Red



PRIVATE SALES

Ph: 03 8791 9400

Mob: 0439 391 276

Fax: 03 8791 9464

Email: privatesales@hiltonmfg.com.au

All Prices in this Catalogue Exclude GST