



ROUND FUEL TANKS

www.hiltonmfg.com.au

Victoria

110-116 Bangholme Rd
Dandenong South, 3164
Ph: 03 8791 9400
Fax: 03 9768 2952

Queensland

57 Campbell Avenue
Wacol, 4076
Ph: 07 3879 4091
Fax: 07 3879 4093

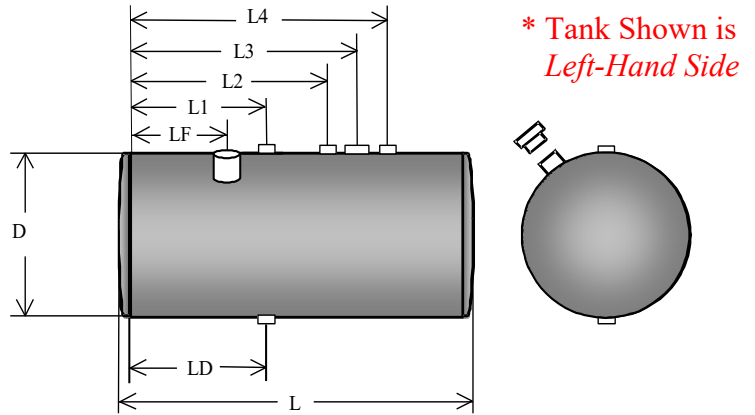
ORDER FORM - ROUND TANKS



- 18"/457mm 22"/559mm
- 24.5"/622mm 26"/660mm
- 28.5"/724mm

*** PHOTOCOPY, COMPLETE AND FAX US THIS FORM FOR ALL YOUR CUSTOM TANK REQUESTS**

CUSTOMER:
CONTACT:
TEL.:
FAX.:



BY MAKING REFERENCE TO THE DIAGRAM ABOVE, SPECIFY YOUR TANK REQUIREMENTS IN THE CORRESPONDING SPACES GIVEN BELOW. PLEASE USE A 'TICK' WHERE NECESSARY.

Tank Description	Specification		
CAPACITY			
MATERIAL	ALUMINIUM	STEEL	
SIDE	Right Hand (Driver)	Left Hand (Passenger)	
COLOR	PLAIN	BLACK	OTHER
QUANTITY			

	Specification	Description
L [mm]		Tank Length
D [mm]		Tank Diameter
L1 [mm]		Pick-Up Pipe Socket <i>location</i>
L2 [mm]		Return Pipe Socket <i>location</i>
L3 [mm]		Sender Flange Socket <i>location</i>
L4 [mm]		Breather <i>location</i>
LF [mm]		Filler Neck <i>location</i>
LD [mm]		Drain Socket & Plug <i>location</i>

*IF YOU WISH TO CHANGE THE SIZE OF THE TANK SOCKETS,
INDICATE THE REQUIRED SIZES YOU WANT IN THE REQUIRED SIZE SPACES GIVEN BELOW:*

TANK SOCKETS	HILTON SIZE	REQUIRED SIZE
Filler Neck	3" x 10 TPI BSW	
Drain Socket & Plug	1/2" NPSF	
Pick-Up Pipe Socket	1/2" NPSF	
Return Pipe Socket	1/2" NPSF	
Sender Flange Socket	5 Holes x M5 on 54mm P.C.D.	
Breather	1/4" NPSF	

ALL PRICES EXCLUDE GST

MOUNTING KITS ROUND TANKS



ROUND TANK KITS

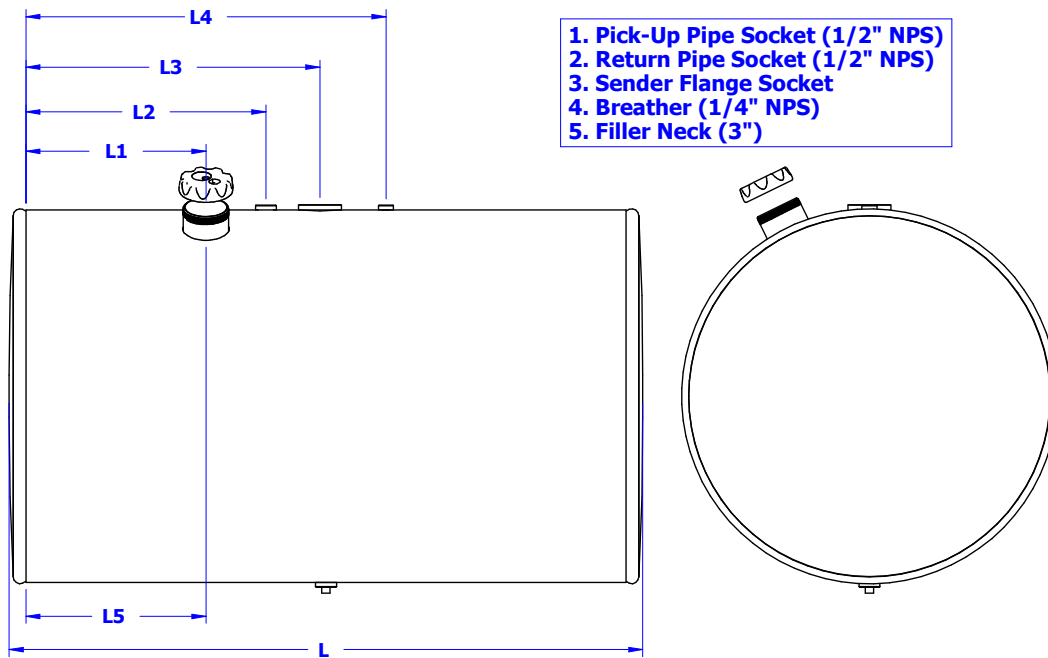
Tank Ø	2-Bracket Kit	3-Bracket Kit	List Price	
			Plain	With Step Mount
18"	HM18KIT2		\$224	
		HM18KIT3	\$336	
22"	HMK22IT2		\$264	
		HM22KIT3	\$396	
24.5"	HM24.5KIT2		\$363	\$411
		HM24.5KIT3	\$545	\$611
26"	HM26KIT2		\$385	\$433
		HM26KIT3	\$577	\$650
28.5"	HM28.5KIT2		\$405	\$470
		HM28.5KIT3	\$607	\$704

All Kits above include L/J Brackets, Stainless Steel Straps, Rubbers, and Clevis Pin Kits

ALL PRICES EXCLUDE GST

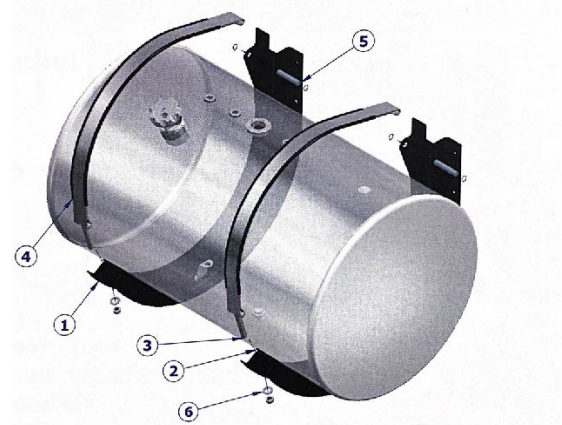
STEEL AND ALUM ROUND FUEL TANKS

18"/457mm



Capacity [LT]	Part No.	Material	L [mm]	L1 /L5 [mm]	L2 [mm]	L3 [mm]	L4 [mm]	Tank Price	2 Bracket Kit Price	3 Bracket Kit Price
130	HM183329AL	ALUM	850	255	575	475	315	\$539	\$224	
220	HM185748AL	ALUM	1450	440	510	605	700	\$638		\$336
165	HM184336SL	STEEL	1100	525	585	410	975	\$600	\$224	
200	HM185244SL	STEEL	1325	430	510	605	700	\$630	\$224	
220	HM185748SL	STEEL	1450	440	510	605	700	\$642		\$336

Item No	Part No.	Price	Steel	Price
1	HM18JPL	\$55		
2	HM18.00RUS	\$10		
3	HM18SSS	\$40	HM18SMS	\$40
4	HM18.00RUB	\$11		
5 + 6	HMPINKIT-SMALL	\$12		



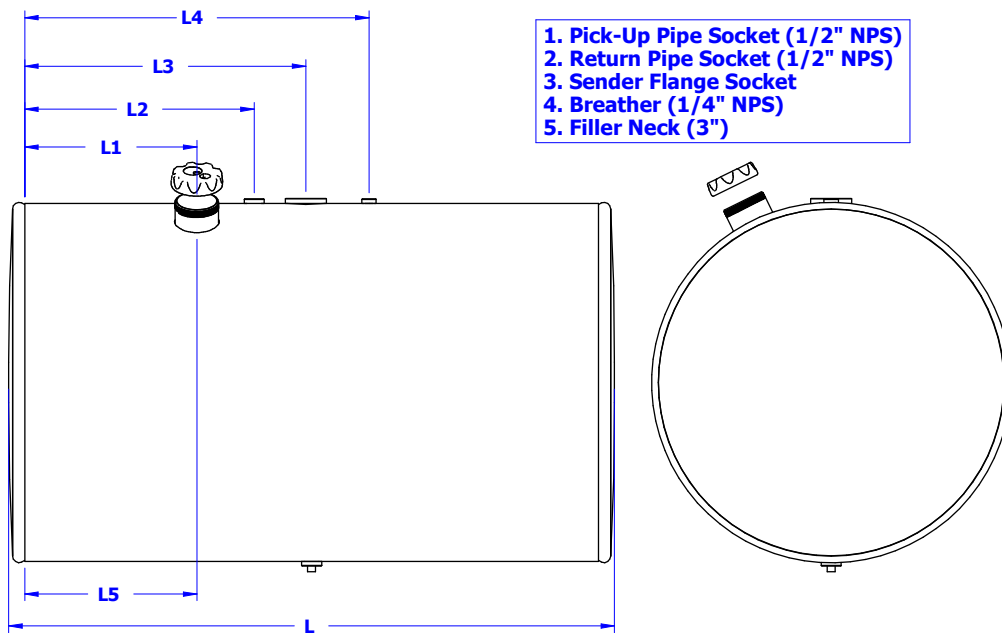
Remarks

- **AL and SL** Stands for Left Hand (Passenger's Side) Tank, as shown above
- **AR and SR** Stands for Right Hand (Driver's Side) Tank, diametrically opposite to what is shown above
- **Step not included in the kit – Can be ordered separately**
- **Steel tank to be supplied powder coated gloss black.**

STEEL AND ALUM ROUND FUEL TANKS

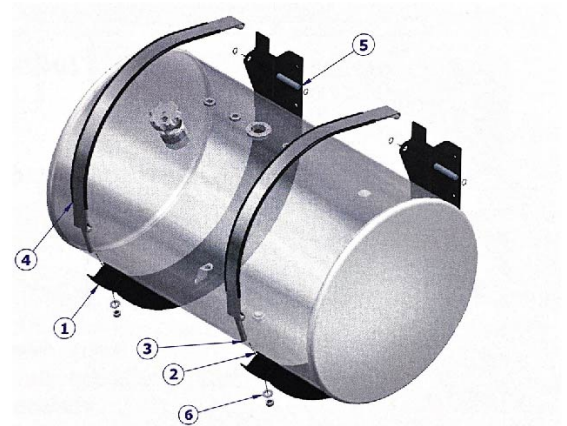
22"/559mm





Capacity [LT]	Part No.	Material	L [mm]	L1 /L5 [mm]	L2 [mm]	L3 [mm]	L4 [mm]	Tank Price	2 Bracket Kit Price	3 Bracket Kit Price
225	HM223650AL	ALUM	966	95	805	292	392	\$660	\$264	
300	HM224966AL	ALUM	1266	536	656	456	596	\$715	\$264	
370	HM226182AL	ALUM	1566	536	656	456	596	\$825		\$396
200	HM223344SL	STEEL	911	442	562	362	502	\$630	\$264	
250	HM224155SL	STEEL	1121	536	656	456	596	\$690	\$264	
300	HM224966SL	STEEL	1266	536	656	456	596	\$750	\$264	

Item No	Part No.	Price	Steel	Price
1	HM22JPL	\$68		
2	HM22.00RUS	\$10		
3	HM22SSS	\$50	HM22SMS	\$40
4	HM22.00RUB	\$11		
5 + 6	HMPINKIT-SMALL	\$12		



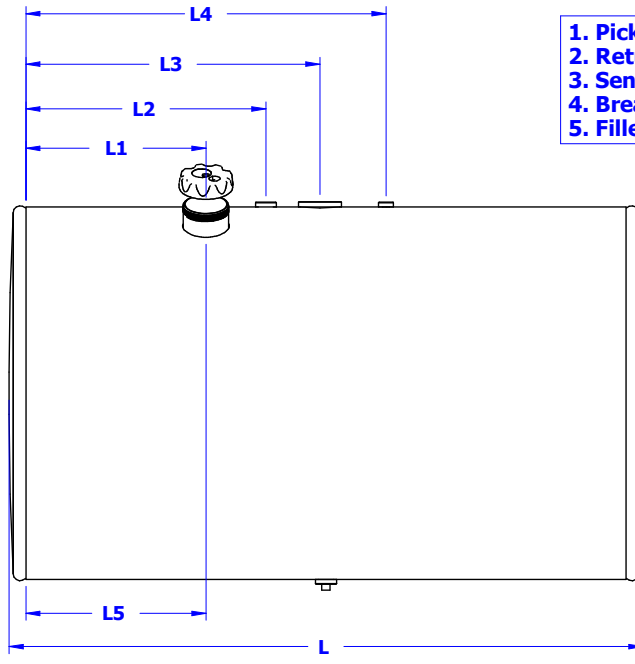
Remarks

- **AL and SL** Stands for Left Hand (Passenger’s Side) Tank, as shown above
- **AR and SR** Stands for Right Hand (Driver’s Side) Tank, diametrically opposite to what is shown above
- **Step not included in the kit – Can be ordered separately**
- **Steel tank to be supplied powder coated gloss black.**

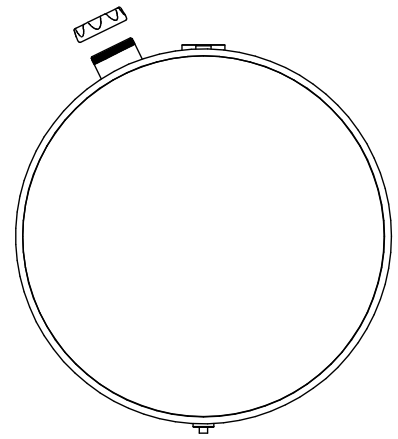
STEEL Printed In Blue
ALUM Printed In Red

STEEL AND ALUM ROUND FUEL TANKS

24.5"/622mm

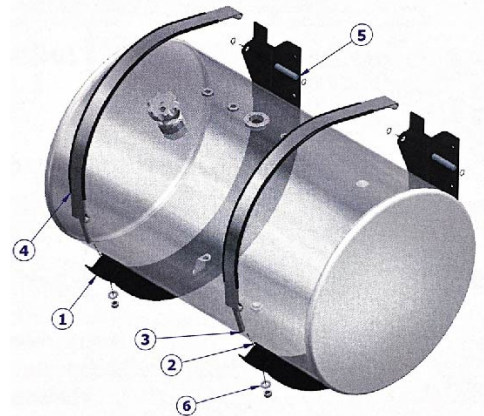


1. Pick-Up Pipe Socket (1/2" NPS)
2. Return Pipe Socket (1/2" NPS)
3. Sender Flange Socket
4. Breather (1/4" NPS)
5. Filler Neck (3")



Capacity [LT]	Part No.	Material	L [mm]	L1 / L5 [mm]	L2 [mm]	L3 [mm]	L4 [mm]	Tank Price	2 Bracket Kit Price	3 Bracket Kit Price	2 Bracket Step Mount Kit Price	3 Bracket Step Mount Kit Price
270	HM2453760AL	ALUM	950	76	825	368	468	\$693	\$363		\$412	
360	HM245980AL	ALUM	1250	136	1025	594	494	\$770	\$363		\$412	
450	HM24560100AL	ALUM	1526	230	1041	610	510	\$825		\$545		\$612
270	HM2453760SL	STEEL	950	76	825	368	468	\$720	\$363		\$412	
360	HM245980SL	STEEL	1250	136	1025	594	494	\$756	\$363		\$412	

Item No	Part No.	Price	With Step Mount Part No.	Price
1	HM24.5JPL	\$103	HM24.5JSM	\$116
2	HM24.5RUS	\$12		
3	HM24.5SSS	\$55	HM24.5SSSM	\$60
4	HM24.5RUB	\$14		
5 + 6	HMPINKIT	\$12		



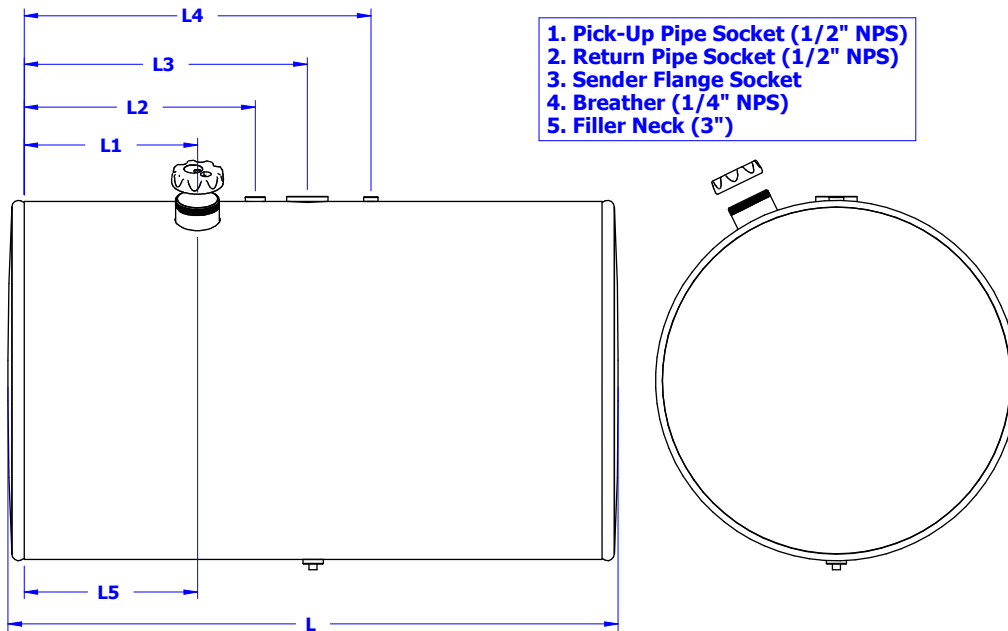
Remarks

- **AL and SL** Stands for Left Hand (Passenger's Side) Tank, as shown above
- **AR and SR** Stands for Right Hand (Driver's Side) Tank, diametrically opposite to what is shown above
- **Step not included in the kit – Can be ordered separately**
- **Steel tank to be supplied powder coated gloss black.**

STEEL AND ALUM ROUND FUEL TANKS

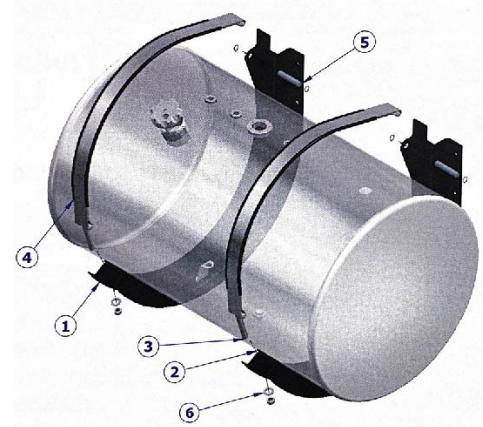
26"/660mm





Capacity [Lt.]	Part No.	Material	L [mm]	L1 /L5 [mm]	L2 [mm]	L3 [mm]	L4 [mm]	List Price	2 Bracket Kit Price	3 Bracket Kit Price	2 Bracket Step Mount Kit Price	3 Bracket Step Mount Kit Price
270	HM263460AL	ALUM	853	235	533	406	320	\$695	\$385		\$433	
360	HM264480AL	ALUM	1117	235	830	540	640	\$770	\$385		\$433	
400	HM264988AL	ALUM	1250	465	550	645	740	\$814	\$385		\$433	
440	HM2654100AL	ALUM	1387	533	813	889	980	\$825		\$577		\$650
494	HM2661110AL	ALUM	1550	533	813	889	980	\$946		\$577		\$650
440	HM2654100SL	STEEL	1387	533	813	889	980	\$852		\$577		\$650

Item No	Part No.	Price	With Step Mount Part No.	Price
1	HM26JPL	\$108	HM26JSM	\$121
2	HM26.00WRUS	\$12	HM26HJSM (HEAVY DUTY)	\$137
3	HM26WSSS	\$60	HM26WSSSM	\$66
4	HM26.00WRUB	\$14		
5 + 6	HMPINKIT	\$12		



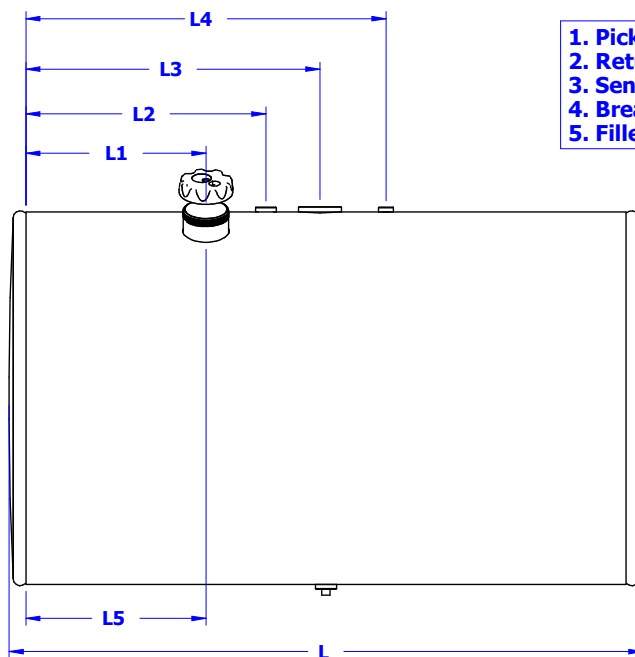
Remarks

- **AL and SL** Stands for Left Hand (Passenger’s Side) Tank, as shown above
- **AR and SR** Stands for Right Hand (Driver’s Side) Tank, diametrically opposite to what is shown above
- **Step not included in the kit – Can be ordered separately**
- **Steel tank to be supplied powder coated gloss black.**

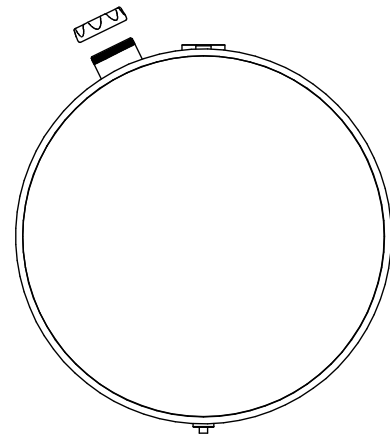
STEEL Printed In Blue
ALUM Printed In Red

ALUM ROUND FUEL TANKS

28.5"/724mm

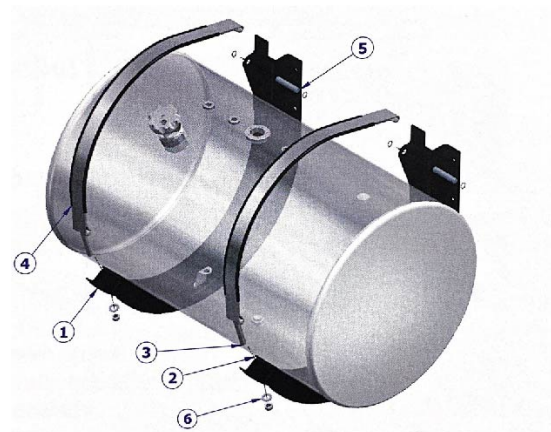


1. Pick-Up Pipe Socket (1/2" NPS)
2. Return Pipe Socket (1/2" NPS)
3. Sender Flange Socket
4. Breather (1/4" NPS)
5. Filler Neck (3")



Capacity [LT]	Part No.	L [mm]	L1 / L5 [mm]	L2 [mm]	L3 [mm]	L4 [mm]	Tank Price	2 Bracket Kit Price	3 Bracket Kit Price	2 Bracket Step Mount Kit Price	3 Bracket Step Mount Kit Price
360	HM2853780AL	966	76	825	533	275	\$803	\$405		\$470	
400	HM2854288AL	1076	235	877	533	630	\$880	\$405		\$470	
450	HM28549105AL	1266	175	1041	533	430	\$990		\$607		\$704
550	HM28557125AL	1466	485	890	970	380	\$1000		\$607		\$704

Item No	Part No.	Price	With Step Mount Part No.	Price
1	HM28.5JPL	\$115	HM28.5JSM	\$132
2	HM28.5RUS	\$13		
3	HM28.5WSSS	\$65	HM28.5WSSSM	\$71
4	HM28.5RUB	\$16		
5 + 6	HMPINKIT	\$12		



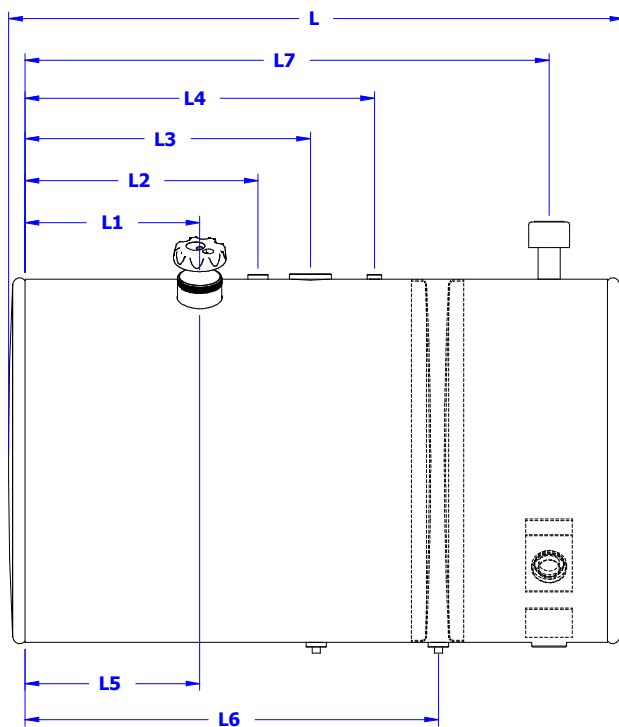
Remarks

- **AL** Stands for Left Hand (Passenger's Side) Tank, as shown above
- **AR** Stands for Right Hand (Driver's Side) Tank, diametrically opposite to what is shown above
- **Step not included in the kit – Can be ordered separately**

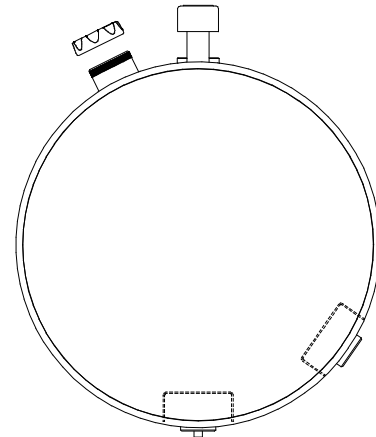


ALUM ROUND FUEL/OIL TANKS

24.5"/622mm

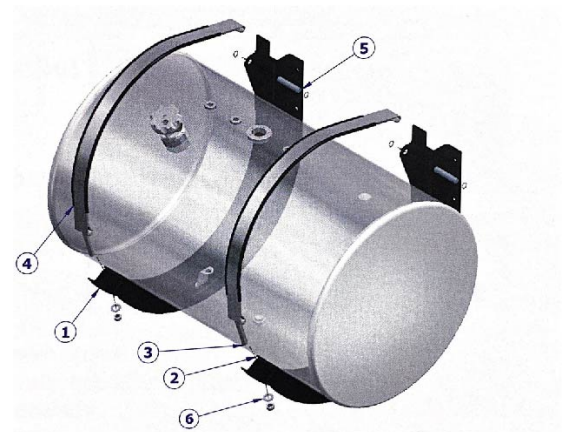


1. Pick-Up Pipe Socket (1/2" NPS)
2. Return Pipe Socket (1/2" NPS)
3. Sender Flange Socket
4. Breather (1/4" NPS)
5. Filler Neck (3")
6. 1/2" Drain Fuel/Oil Compartment
7. 2x 1-1/4" BSP Sockets;
O38mm Oil Filler & Push-on Breather Cap



Capacity [LT]	Part No.	L [mm]	L1 / L5 [mm]	L2 [mm]	L3 [mm]	L4 [mm]	L6 [mm]	L7 [mm]	Tank Price	2 Bracket Kit Price	2 Bracket Step Mount Kit Price
210/150	HM3.2454980AL	1250	136	540	441	341	700	1100	\$987	\$363	\$412

Item No	Part No.	Price	With Step Mount Part No.	Price
1	HM24.5JPL	\$103	HM24.5JSM	\$116
2	HM24.5RUS	\$12		
3	HM24.5SSS	\$55	HM24.5SSSM	\$60
4	HM24.5RUB	\$14		
5 + 6	HMPINKIT	\$12		



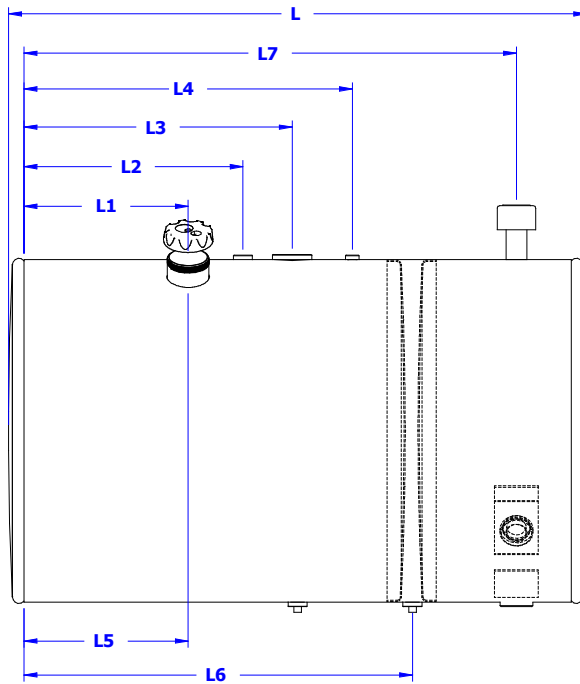
Remarks

- **AL** Stands for Left Hand (Passenger's Side) Tank, as shown above
- **AR** Stands for Right Hand (Driver's Side) Tank, diametrically opposite to what is shown above
- **Step not included in the kit - Can be ordered separately**

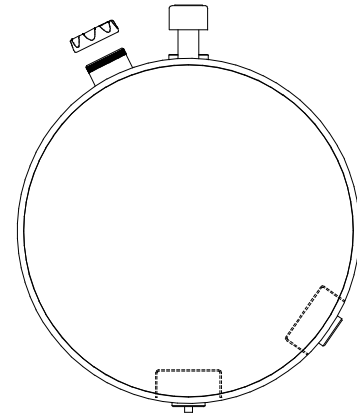
ALUM ROUND FUEL/OIL TANKS

26"/660mm



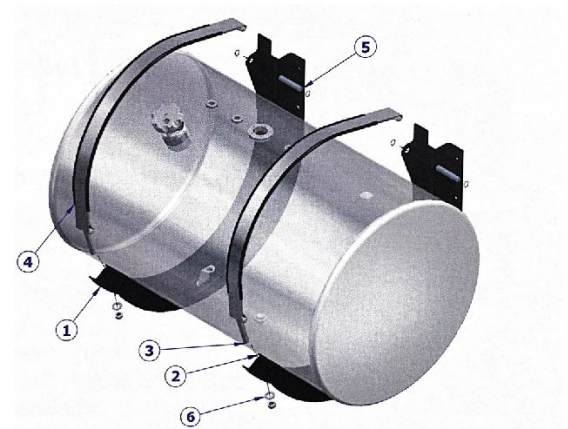


1. Pick-Up Pipe Socket (1/2" NPS)
2. Return Pipe Socket (1/2" NPS)
3. Sender Flange Socket
4. Breather (1/4" NPS)
5. Filler Neck (3")
6. 1/2" Drain Fuel/Oil Compartment
7. 2x 1-1/4" BSP Sockets;
Ø38mm Oil Filler & Push-on Breather Cap



Capacity [LT]	Part No.	L [mm]	L1/L5 [mm]	L2 [mm]	L3 [mm]	L4 [mm]	L6 [mm]	L7 [mm]	Tank Price	2 Bracket Kit Price	3 Bracket Kit Price	2 Bracket Step Mount Kit Price	3 Bracket Step Mount Kit Price
150/110	HM3.263460AL	813	212	448	365	282	517	628	\$907	\$385		\$433	
250/110	HM3.264480AL	1133	235	335	540	640	747	967	\$987	\$385		\$433	
270/180	HM3.2654100AL	1350	340	558	482	411	793	1031	\$1190		\$577		\$650

Item No	Part No.	Price	With Step Mount Part No.	Price
1	HM26JPL	\$108	HM26JSM	\$121
2	HM26.00WRUS	\$12	HM26HJSM (HEAVY DUTY)	\$137
3	HM26WSSS	\$55	HM26WSSSM	\$66
4	HM26.00WRUB	\$14		
5 + 6	HMPINKIT	\$12		



Remarks

- **AL** Stands for Left Hand (Passenger's Side) Tank, as shown above
- **AR** Stands for Right Hand (Driver's Side) Tank, diametrically opposite to what is shown above
- **Step not included in the kit – Can be ordered separately**



PRIVATE SALES

Ph: 03 8791 9400

Mob: 0439 391 276

Fax: 03 8791 9464

Email: privatesales@hiltonmfg.com.au

All Prices in this Catalogue Exclude GST