



FUEL/OIL TANKS

www.hiltonmfg.com.au

Victoria

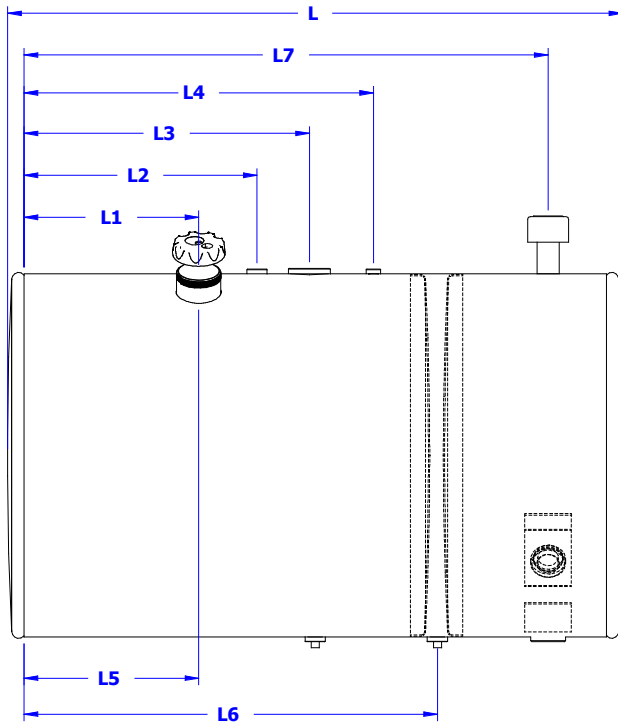
110-116 Bangholme Rd
Dandenong South, 3164
Ph: 03 8791 9400
Fax: 03 9768 2952

Queensland

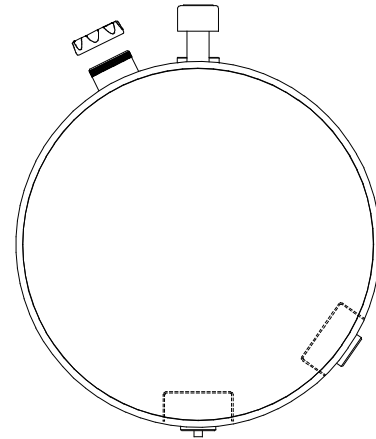
57 Campbell Avenue
Wacol, 4076
Ph: 07 3879 4091
Fax: 07 3879 4093

ALUM ROUND FUEL/OIL TANKS

24.5"/622mm

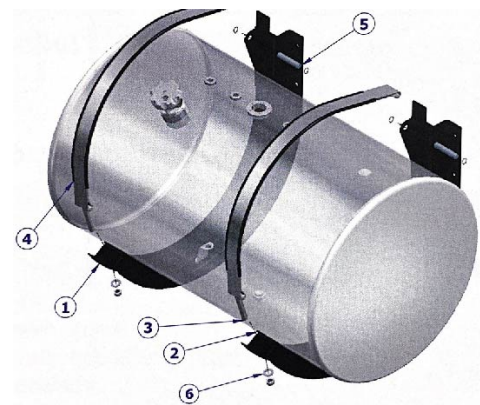


1. Pick-Up Pipe Socket (1/2" NPS)
2. Return Pipe Socket (1/2" NPS)
3. Sender Flange Socket
4. Breather (1/4" NPS)
5. Filler Neck (3")
6. 1/2" Drain Fuel/Oil Compartment
7. 2x 1-1/4" BSP Sockets;
○38mm Oil Filler & Push-on Breather Cap



Capacity [LT]	Part No.	L [mm]	L1 / L5 [mm]	L2 [mm]	L3 [mm]	L4 [mm]	L6 [mm]	L7 [mm]	Tank Price	2 Bracket Kit Price	2 Bracket Step Mount Kit Price
210/150	HM3.2454980AL	1250	136	540	441	341	700	1100	\$987	\$363	\$412

Item No	Part No.	Price	With Step Mount Part No.	Price
1	HM24.5JPL	\$103	HM24.5JSM	\$116
2	HM24.5RUS	\$12		
3	HM24.5SSS	\$55	HM24.5SSSM	\$60
4	HM24.5RUB	\$14		
5 + 6	HMPINKIT	\$12		

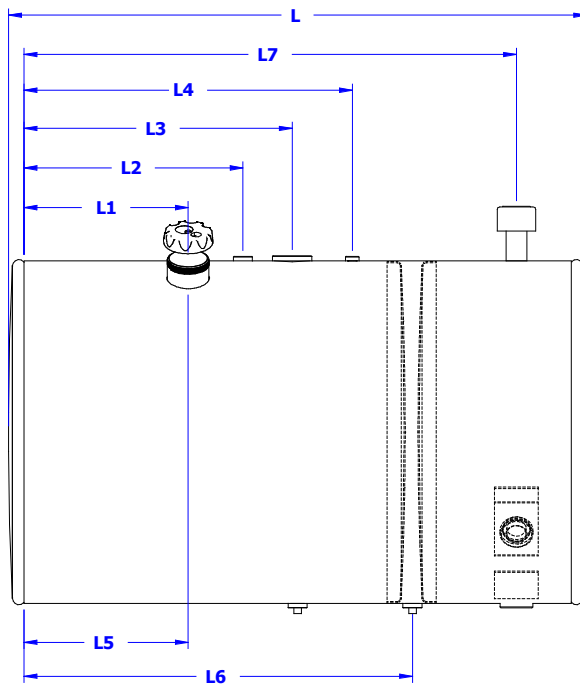


Remarks

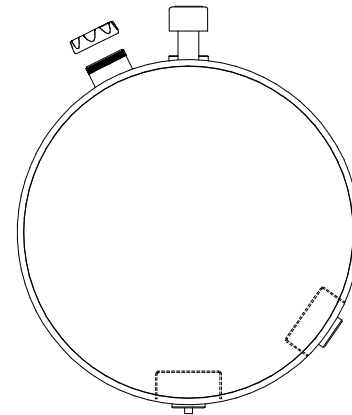
- **AL** Stands for Left Hand (Passenger's Side) Tank, as shown above
- **AR** Stands for Right Hand (Driver's Side) Tank, diametrically opposite to what is shown above
- **Step not included in the kit – Can be ordered separately**

ALUM ROUND FUEL/OIL TANKS

26"/660mm

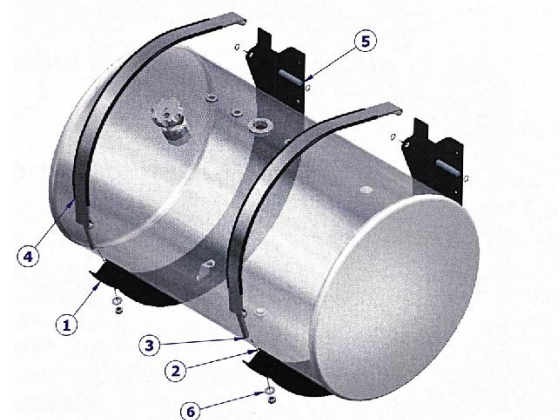


1. Pick-Up Pipe Socket (1/2" NPS)
2. Return Pipe Socket (1/2" NPS)
3. Sender Flange Socket
4. Breather (1/4" NPS)
5. Filler Neck (3")
6. 1/2" Drain Fuel/Oil Compartment
7. 2x 1-1/4" BSP Sockets;
 ○38mm Oil Filler & Push-on Breather Cap



Capacity [LT]	Part No.	L [mm]	L1/L5 [mm]	L2 [mm]	L3 [mm]	L4 [mm]	L6 [mm]	L7 [mm]	Tank Price	2 Bracket Kit Price	3 Bracket Kit Price	2 Bracket Step Mount Kit Price	3 Bracket Step Mount Kit Price
150/110	HM3.263460AL	813	212	448	365	282	517	628	\$907	\$385		\$433	
250/110	HM3.264480AL	1133	235	335	540	640	747	967	\$987	\$385		\$433	
270/180	HM3.2654100AL	1350	340	558	482	411	793	1031	\$1190		\$577		\$650

Item No	Part No.	Price	With Step Mount Part No.	Price
1	HM26JPL	\$108	HM26JSM	\$121
2	HM26.00WRUS	\$12	HM26HJSM (HEAVY DUTY)	\$137
3	HM26WSSS	\$55	HM26WSSSM	\$66
4	HM26.00WRUB	\$14		
5 + 6	HMPINKIT	\$12		



Remarks

- **AL** Stands for Left Hand (Passenger's Side) Tank, as shown above
- **AR** Stands for Right Hand (Driver's Side) Tank, diametrically opposite to what is shown above
- **Step not included in the kit – Can be ordered separately**



PRIVATE SALES

Ph: 03 8791 9400

Mob: 0439 391 276

Fax: 03 8791 9464

Email: privatesales@hiltonmfg.com.au

All Prices in this Catalogue Exclude GST