

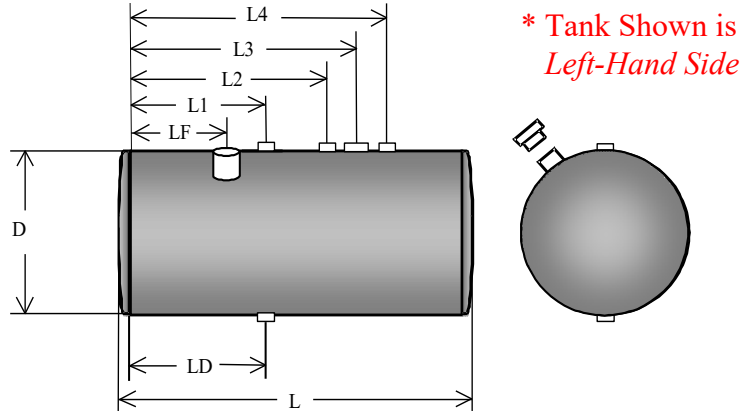
ORDER FORM - ROUND TANKS



- 18"/457mm 22"/559mm
- 24.5"/622mm 26"/660mm
- 28.5"/724mm

*** PHOTOCOPY, COMPLETE AND FAX US THIS FORM FOR ALL YOUR CUSTOM TANK REQUESTS**

CUSTOMER:
CONTACT:
TEL.:
FAX.:



BY MAKING REFERENCE TO THE DIAGRAM ABOVE, SPECIFY YOUR TANK REQUIREMENTS IN THE CORRESPONDING SPACES GIVEN BELOW. PLEASE USE A 'TICK' WHERE NECESSARY.

Tank Description	Specification		
CAPACITY			
MATERIAL	ALUMINIUM	STEEL	
SIDE	Right Hand (Driver)	Left Hand (Passenger)	
COLOR	PLAIN	BLACK	OTHER
QUANTITY			

	Specification	Description
L [mm]		Tank Length
D [mm]		Tank Diameter
L1 [mm]		Pick-Up Pipe Socket <i>location</i>
L2 [mm]		Return Pipe Socket <i>location</i>
L3 [mm]		Sender Flange Socket <i>location</i>
L4 [mm]		Breather <i>location</i>
LF [mm]		Filler Neck <i>location</i>
LD [mm]		Drain Socket & Plug <i>location</i>

*IF YOU WISH TO CHANGE THE SIZE OF THE TANK SOCKETS,
INDICATE THE REQUIRED SIZES YOU WANT IN THE REQUIRED SIZE SPACES GIVEN BELOW:*

TANK SOCKETS	HILTON SIZE	REQUIRED SIZE
Filler Neck	3" x 10 TPI BSW	
Drain Socket & Plug	1/2" NPSF	
Pick-Up Pipe Socket	1/2" NPSF	
Return Pipe Socket	1/2" NPSF	
Sender Flange Socket	5 Holes x M5 on 54mm P.C.D.	
Breather	1/4" NPSF	

ALL PRICES EXCLUDE GST