

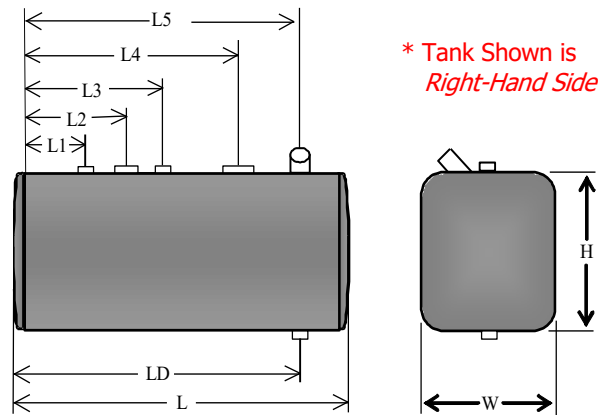
ORDER FORM - RECTANGULAR TANKS

- 550x550mm 360x615mm 480x650mm
- 625x700mm 700x700mm 730x730mm



*** PHOTOCOPY, COMPLETE AND FAX US THIS FORM FOR ALL YOUR CUSTOM TANK REQUESTS**

CUSTOMER:
CONTACT:
TEL.:
FAX:



BY MAKING REFERENCE TO THE DIAGRAM ABOVE, SPECIFY YOUR TANK REQUIREMENTS IN THE CORRESPONDING SPACES GIVEN BELOW. PLEASE USE A 'TICK' WHERE NECESSARY.

Tank Description	Specification		
CAPACITY			
MATERIAL	ALUMINIUM	STEEL	
SIDE	Right Hand <i>(Driver)</i>	Left Hand <i>(Passenger)</i>	
COLOR	PLAIN	BLACK	OTHER
QUANTITY			

REF	Specification	Description
L [mm]		Tank Length
W [mm]		Tank Width
H [mm]		Tank Height
L1 [mm]		Pick-Up Pipe Socket <i>location</i>
L2 [mm]		Return Pipe Socket <i>location</i>
L3 [mm]		Breather <i>location</i>
L4 [mm]		Sender Flange Socket <i>location</i>
L5 [mm]		Filler Neck <i>location</i>
LD [mm]		Drain Socket & Plug <i>location</i>

IF YOU WISH TO CHANGE THE SIZE OF THE TANK SOCKETS, INDICATE THE REQUIRED SIZES YOU WANT IN THE REQUIRED SIZE SPACES GIVEN BELOW:

Tank Sockets	Hilton Size	Required Size
Filler Neck	3" x 10 TPI BSW	
Drain Socket & Plug	1/2" NPSF	
Pick-Up Pipe Socket	1/2" NPSF	
Return Pipe Socket	1/2" NPSF	
Sender Flange Socket	5 Holes x M5 on 54mm P.C.D.	
Breather	1/4" NPSF	

ALL PRICES EXCLUDE GST